

Intake/delivery connections 1" 1/4 - flow rate 220 l/min

BOXER 150



construction materials: PP - PVDF - ALU - Aisi 316



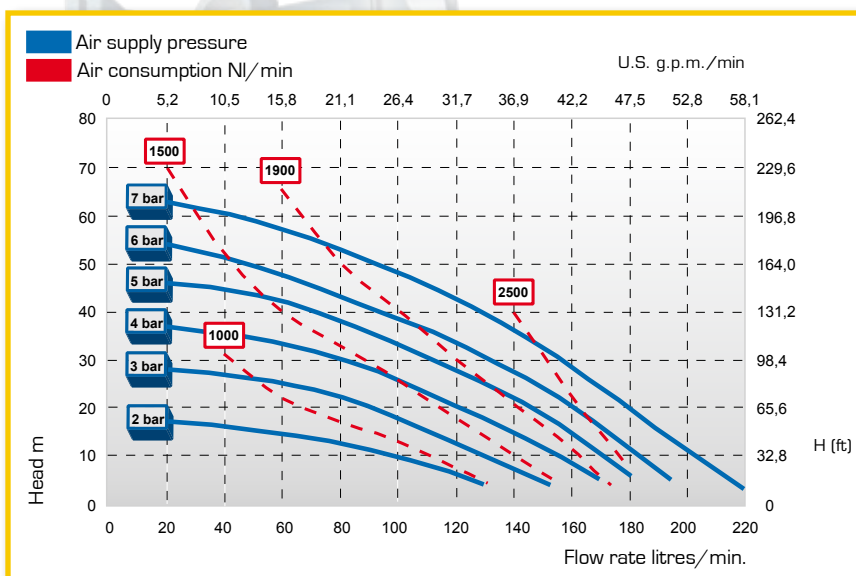
ALU

Intake/delivery connections	G 1" 1/4		
Air connection	G 1/2"		
Max. self-priming capacity*	5 m		
Max. flow rate*	220 l/min		
Max. head*	70 m		
Max. air supply pressure	7 bar		
Max. diameter of passing solids (spherical particles)	5 mm		
Net weight	PP	12 Kg	(zone 2) 60°C Max. temp.
	ECTFE	14 Kg	(zone 2) 95°C Max. temp.
	Alu	16 Kg	(zone 2) 95°C Max. temp.
	Aisi 316	21 Kg	(zone 2) 95°C Max. temp.

*The curves and performance values refer to pumps with submerged suction and a free delivery outlet with water at 20°C, and vary according to the construction material.

TECHNICAL DATA

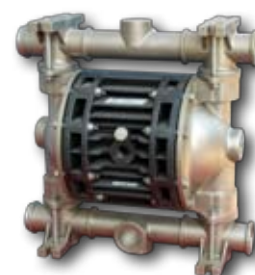
PERFORMANCE



PP

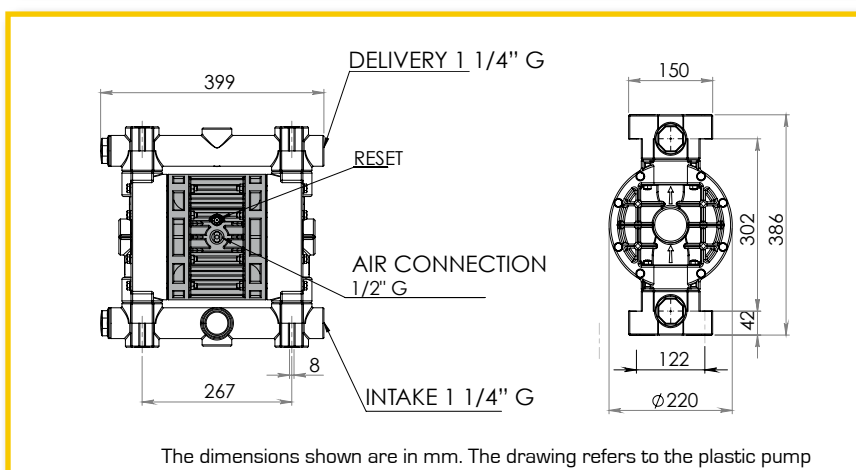


PVDF



AISI 316

DIMENSIONS



All the values shown are approximate and not binding