

Intake/delivery connections 1/2" - flow rate 50 l/min

# BOXER 50

construction materials: ALU



ALU

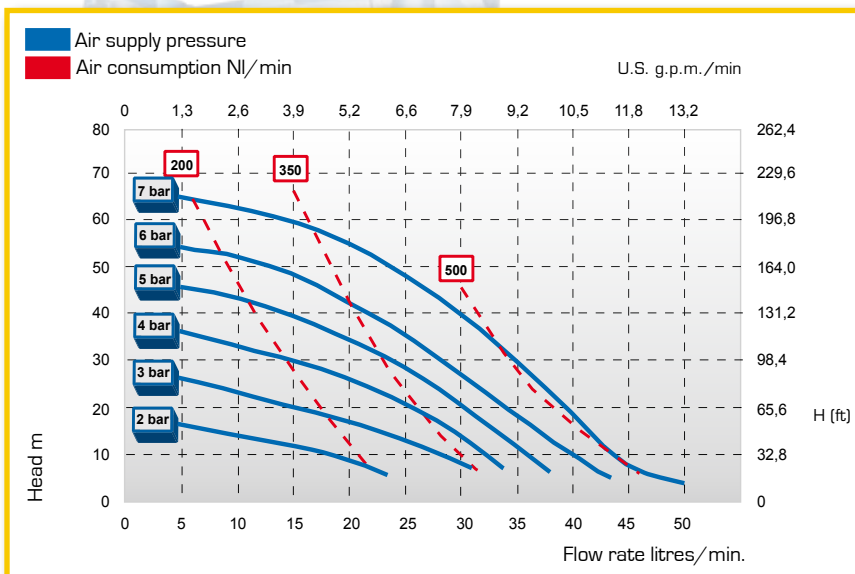
Intake/delivery connections	G 1/2"
Air connection	G 3/8"
Max. self-priming capacity*	5 m
Max. flow rate*	50 l/min
Max. head*	70 m
Max. air supply pressure	7 bar
Max. diameter of passing solids (spherical particles)	4 mm

Net weight Alu 4 Kg (zone 2) 95°C Max. temp.

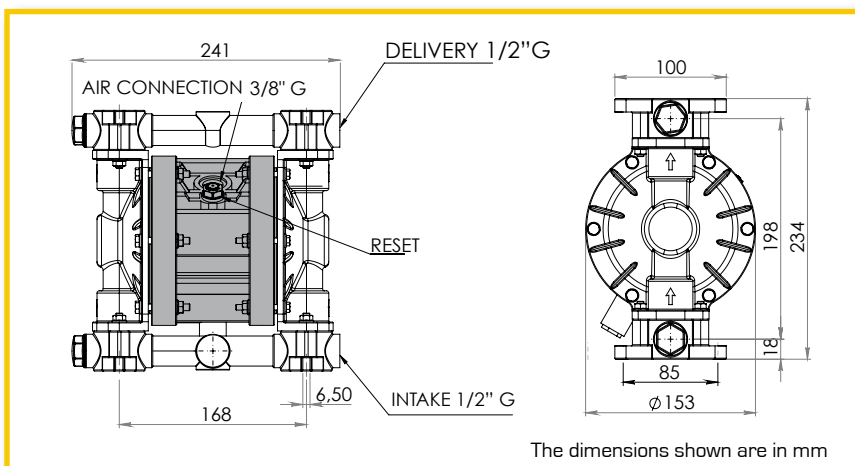
\*The curves and performance values refer to pumps with submerged suction and a free delivery outlet with water at 20°C, and vary according to the construction material.

## TECHNICAL DATA

### PERFORMANCE



### DIMENSIONS



All the values shown are approximate and not binding