

# MB 100



construction materials: PP - PVDF



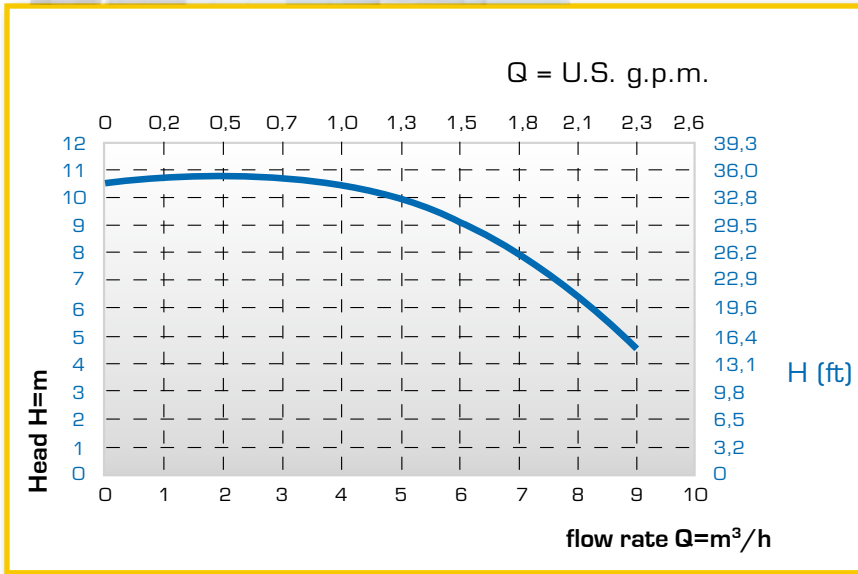
PVDF

Intake connection	G 1" 1/2 f		
Delivery connections	G 1" m		
Max. flow rate*	9 m <sup>3</sup> /h		
Max. head*	10.5 m		
Seal	TL - TS		
Motor power	0.55 kW - 0.75 HP		
Motor	IP55 - F Class - 2-pole - 230/400 V 50 Hz - three-phase - 2900 RPM		
Diameter of passing solids	7 mm		
Max. viscosity	500 cps		
Net weight	PP	8.5 Kg	60°C Max. temp.
	PVDF	9.5 Kg	90°C Max. temp.

\* The curves and performance values refer to pumps spare delivery outlet and water at 20°C.

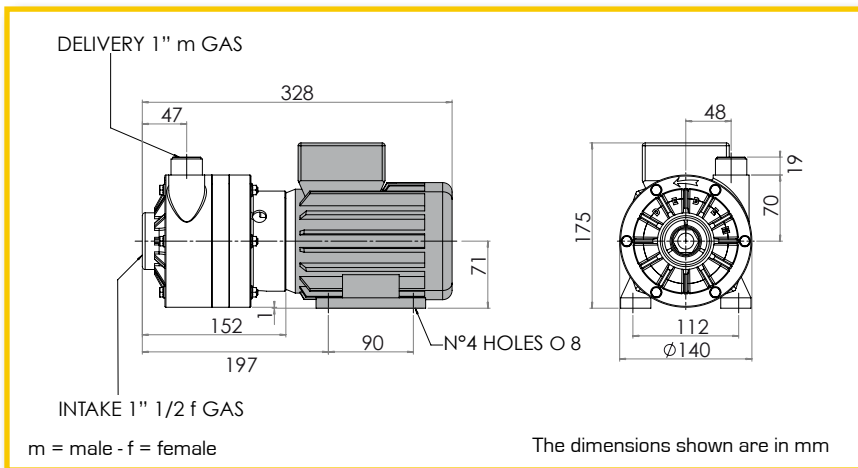
## TECHNICAL DATA

### PERFORMANCE



PP

### DIMENSIONS



All the values shown are approximate and not binding