



Intake/delivery connections 1/2" - flow rate 50 l/min

MINIBOXER

construction materials: PP - PVDF - Aisi 316

Intake/delivery connections	G 1/2"		
Air connection	G 3/8"		
Max. self-priming capacity*	5 m		
Max. flow rate*	50 l/min		
Max. head*	70 m		
Max. air supply pressure	7 bar		
Max. diameter of passing solids (spherical particles)	3 mm		

Net weight	PP	3.6 Kg	(zone 2) 60°C Max. temp.
	PVDF	4.2 Kg	(zone 2) 95°C Max. temp.
	Aisi 316	6.5 Kg	(zone 2) 95°C Max. temp.

*The curves and performance values refer to pumps with submerged suction and a free delivery outlet with water at 20°C, and vary according to the construction material.



Aisi 316

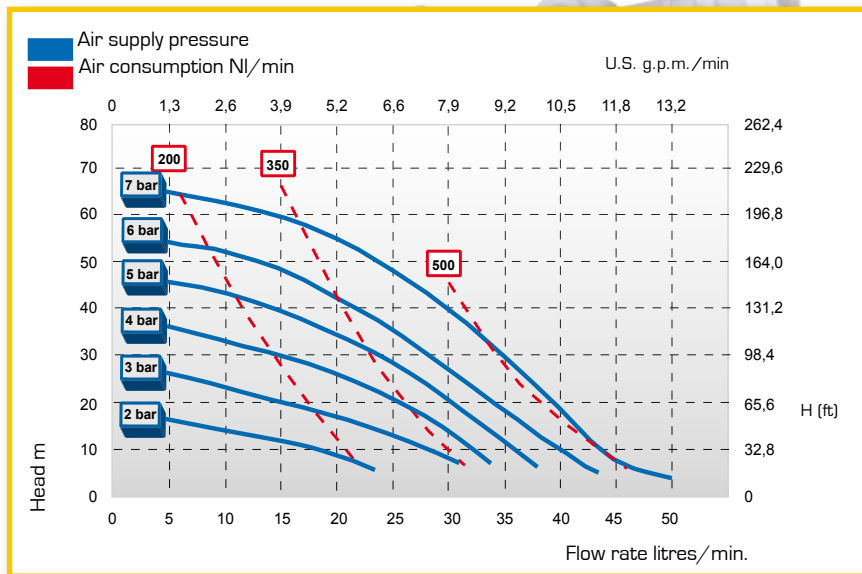
TECHNICAL DATA



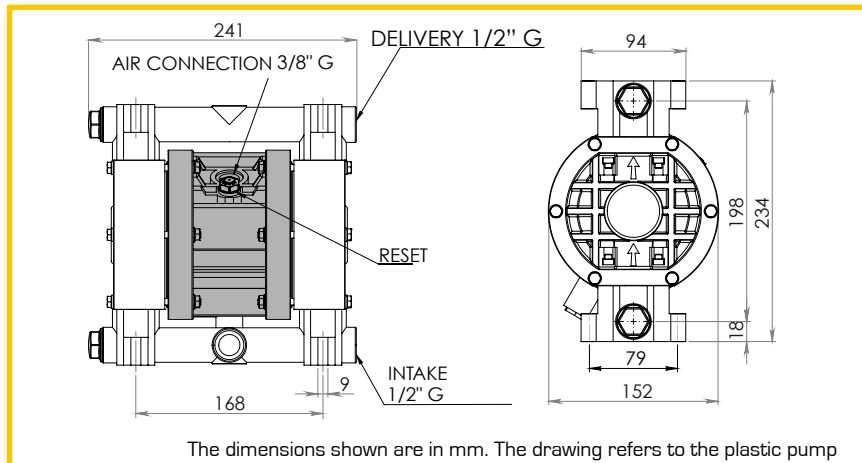
PP



PVDF



PERFORMANCE



DIMENSIONS

All the values shown are approximate and not binding